

Piccolo TUF-HP provides high powered USB A+C laptop and mobile charging in an easy to install compact yet powerful module.

This innovative solution splits the power system, providing a compact USB laptop and mobile charging solution to the workspace with the power supply discreetly hidden under the desk, inside cabinetry or fitted into the OE Prodigy cable basket.

PICCOLO is powered by our QF30 PSU, splitting the USB outlets from the AC/DC power supply, providing class leading USB charging.

Unique to OE Elsafe is the reversible Type A port which will ensure a quick single attempt connection every time.

PICCOLO can be mounted on or under desk, using screws, clamp bracket, velcro or adhesive pads enabling you to provide high power USB charging outlets wherever they are needed.



FEATURES

- TUF-HP USB Type C fast laptop charging
- Unique Reversible Type A port
- Multiple mounting options
- 24-30V DC power input
- Powered by the OE QikFIT QF30 PSU
- Optimum safety for use in public areas

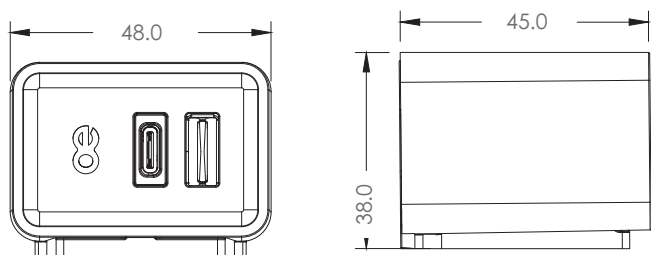


piccolo TECHNICAL

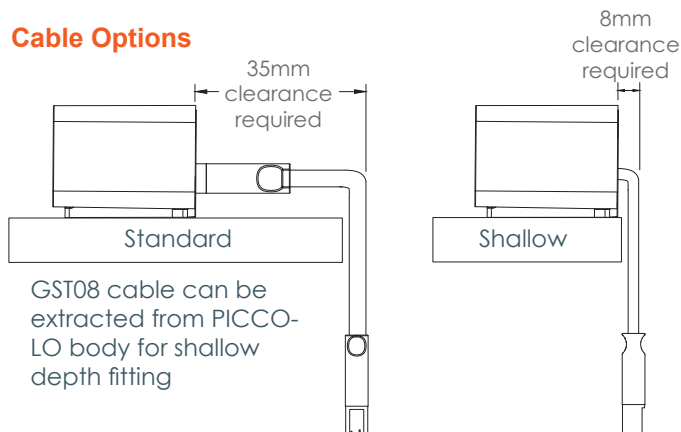
| | |
|-------------------------------|--|
| USB Charging Outlets | 1 x Type C (Reversible) 1 x Type A (Reversible) |
| Power In connector | 65mm Male GST08 DC connector |
| Rated Total Output Power | 72W MAX |
| Output Voltages & Currents | TYPE C: MAX 60W 20V/3A, 15V/3A, 9V/3A, 5V/3A (PD3.0) QC 2/3.0 5V/3A, 9V/2A, 12V/1.5A TYPE A: MAX 12W 5V / 2.4A IDR BC1.2, Apple 12W Mode Samsung Fast Charge |
| Input Voltage | 24 - 30V DC |
| USB Connector Min. Insertions | Type A 10,000 Type C 10,000 |
| Over Current Protection | Yes. Digital control at 3.3A. Auto reset with LED flash. |
| Short Circuit Protection | Yes. Digital control at 3.3A. Auto reset. |
| Over Temperature Protection | Auto Power Reduction to PD 45W Mode. 20V/2.25A, 15V/3A, 9V/3A, 5V/3A |
| Rated Operating Temperature | 0° TO 25°C |
| Certifications - Safety | IEC 62368-1 : 2018 |
| Certification - EMC | EN61204 : 2018 |
| User Replaceable USB module | No |

TUF is safe and designed for public spaces. Data transfer is not possible as TUF has no external data connections or the ability to store enough code to put malware on a device.

Dimensions



Cable Options



Construction

High strength fire retardant polycarbonate

Colours

White

Power cord options:

GST08 male to female interconnect cable

Installation:

PICCOLO can be mounted on or under a desk top, using screws or Velcro/adhesive pads. In addition PICCOLO can be mounted to monitor arm pillars using Velcro cable ties

Quality & Testing

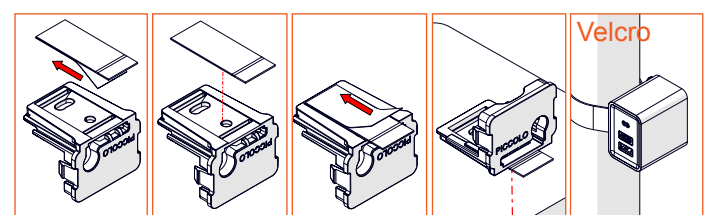
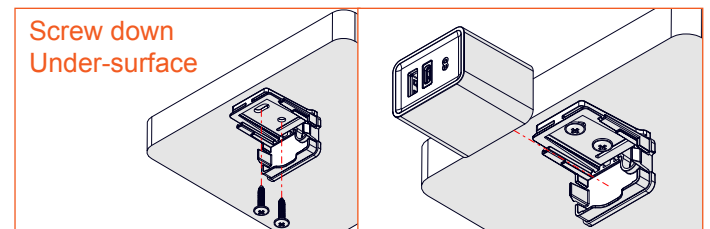
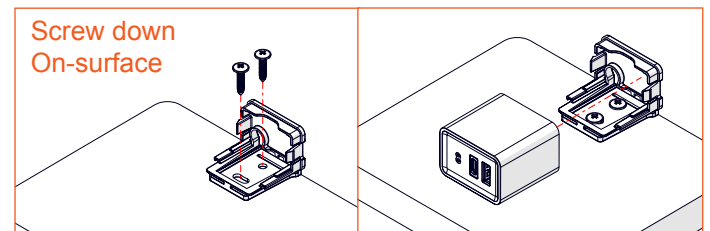
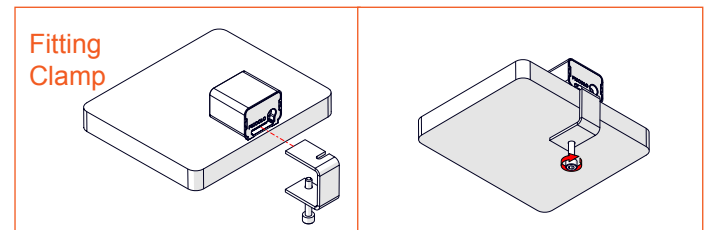
All PICCOLO units are manufactured using quality controlled components and practices and are 100% tested before dispatch:

- Visual: Configuration and appearance
- USB charger: Output voltage and resistance

Piccolo is designed and intended for commercial use.

Fitting Options

Piccolo must be paired with the QF30 PSU power supply and a GST08 lead. The QF30 PSU can be discreetly fitted under the desk, into cabinetry, or clipped into the OE Elsafe Prodigy cable basket.



QF30 PSU TECHNICAL

KEY SPECIFICATIONS - QF30 PSU

| | |
|-----------------------------|--|
| Input Connectors | 1x Male Mains GST18/3 input 20A Installation Coupler |
| Output Connectors | 1x Female Mains GST18/3 output 20A Installation Coupler 1x Female 30V DC GST08 output |
| Input Voltage | 100-230 VAC 50-60HZ |
| Rated Input Current | 1.7A |
| Input Power | MAX 75 Watts |
| Standby Power | 0.21W |
| Output Voltage | 30V |
| Output Current Rated | 2.34A |
| Over Current Protection | Yes |
| Short Circuit Protection | Yes |
| Over Temperature Protection | Yes |
| Status Indication | Yes Blue LED |
| Standards | UL/IEC 62368-1 : 2018 (safety) and EN61204 : 2018 (EMC) |



Piccolo TUF HP must be paired with a QF30 PSU (power supply) and GST08 lead.

QF30 PSU DIMENSIONS

